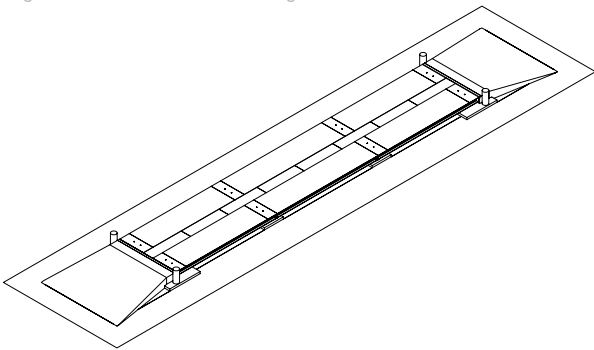


Unit 15
Dunshaughlin Business Park,
Dunshaughlin, Co Meath
Tel: +353 1 824 0400
Email: sales@riteweigh.ie
Web: www.riteweigh.ie



INSTALLATION

weighbridge with 8 load cells installed on-ground



DIMENSIONS



DATA SHEET

WEIGHBRIDGES

Model	BPGMC
Type	modular metal weighbridge
Material	F112 iron
Installation	on-ground
Direction	unidirectional
Capacities	from 30.000 kg up to 60.000 kg
Dimensions	6, 8, 10, 12, 14, 16, 18 x 3 m.
Height	330 mm.
Surface	flat, without lateral beams
Sheet	tear sheet surface of 6/8 mm thick
Structure	modules with 2 lateral beams: HEA-220 for weighbridges of 6, 8, 10 x 1'5 m, and HEA-240 for weighbridges of 12, 14, 16, 18 x 1'5 m. Inside the module is made with different metal profiles. Some tubes are incorporated for cables of load cells.
Internal access	metallic central sheet
Access to load cells	metal sheet trapdoors
Painting	blue finish enamel coating
Connection box	metall with 4, 6 or 8 connections
Protection	IP65
Screwing	8.8 zinc quality (except screws inferior to M14)
Cable length	15 m. from the scale to the indicator
Ground	it is advisable the installation following instructions M.I.BT039

Load cells (scale of 60 t.)
GIP of 20 t
HBM C16A of 20 t

Load cells (scale of 30 t)
GIP of 15 t
HBM C16A of 15 t

Accessories
load cells GIPD
load cells HBM C16i
perimeter angle for the ramps
cubicles
headboards
metal ramps
bearing guides
gushed beams and cross-beams with special painting

Dimensions (m)	Capacity (t)	Fraction (kg)	Height (mm)	Number of cells	Number of modules of 6 m	Number of modules of 4m	Total weight of platform (kg)
6x3	30	10	330	4	2	0	3.700
8x3	30	10	330	6	0	4	4.450
10x3	30	10	330	6	2	2	5.960
12x3	60	20	330	6	4	0	6.960
14x3	60	20	330	8	2	4	8.250
16x3	60	20	330	8	4	2	9.250
18x3	60	20	330	8	6	0	10.250

Modules	Dimensions (mm)	Weight (kg)
Module of 4 m	4200x1500x260	1010
Module of 6 m	6200x1500x260	1480

Dimensions and weight of the bulkiest and heaviest elements for their manipulation.