



INDUSTRIAL WEIGHING SOLUTIONS

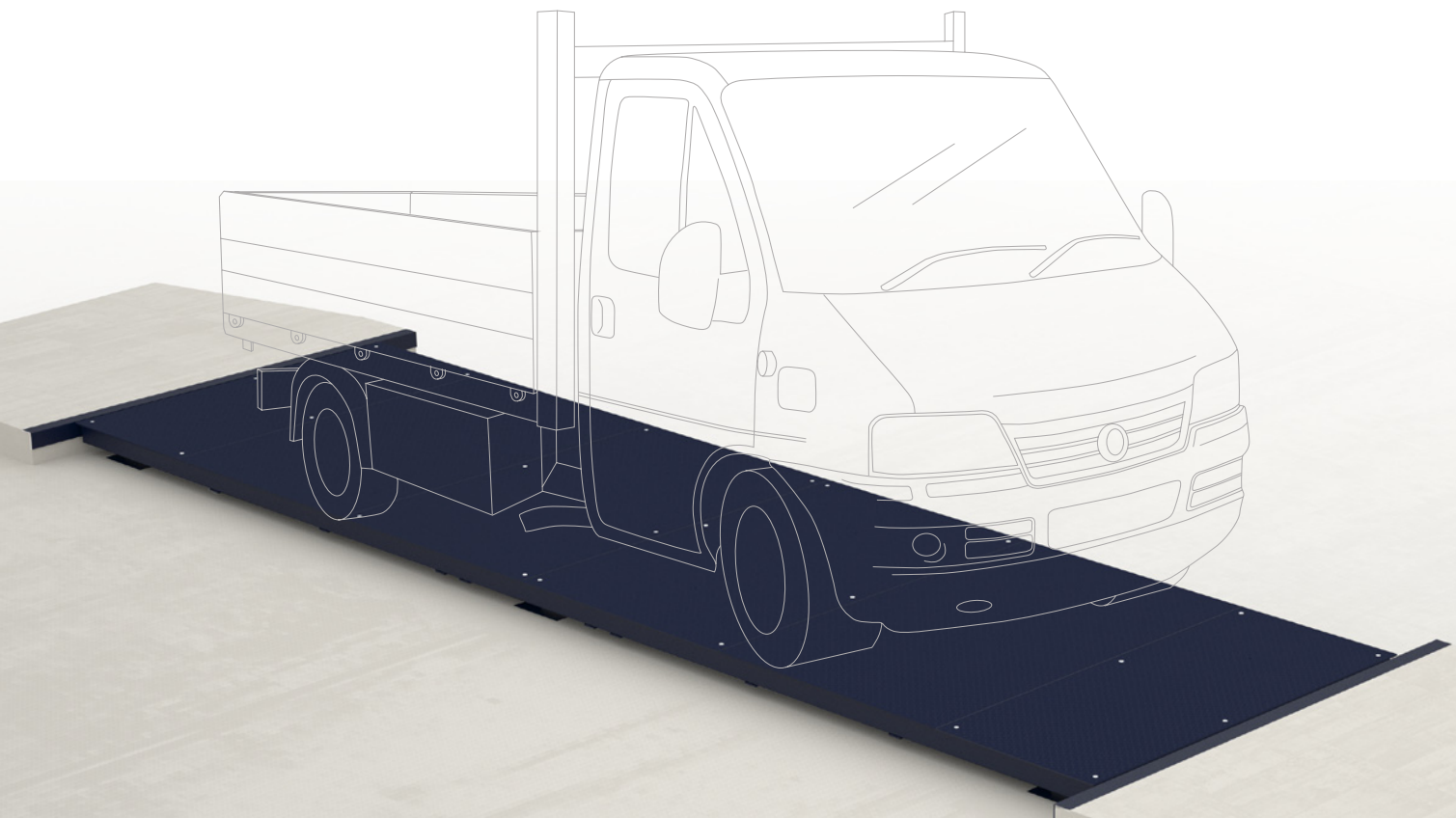


B8C

B8C

Light vehicles weighbridges.

*On ground or pit metallic weighbridges.
With diamond plate.*



Unit 15 Dunshaughlin Business Park, Dunshaughlin, Co Meath
Tel: +353 1 824 0400 Email: sales@riteweigh.ie Web: www.riteweigh.ie

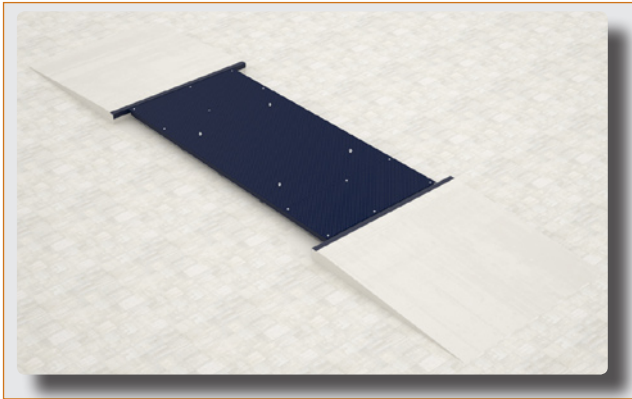
DESCRIPTION

DESCRIPTION

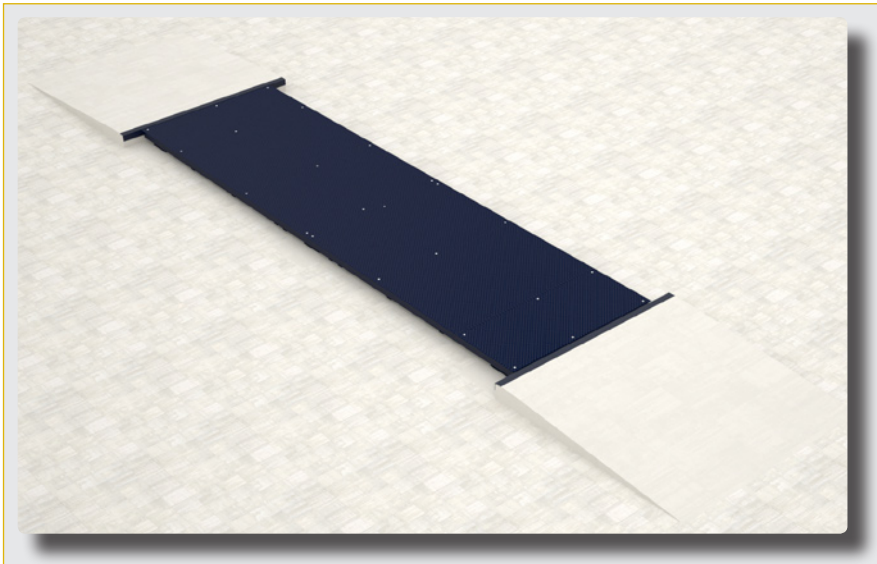
- The weighbridges of the B8C series are metallic weighbridges for light vehicles weighing.
- The weighbridges of the B8C series are electronic scales with 4 or 6 load cells, according to the platforms dimensions. The B8C platforms are built in 5, 6 and 8 meters length and 2,3 and 2,5 meters width. With capacities of 6.000, 10.000 and 15.000 kg according to the platforms dimensions.
- The weighbridges of the B8C series can be installed on ground or in pit. Its 200 mm height of the riding surface, allow simple civil work in both cases (little length of ramps when they are installed on ground and little depth

when they are in pin installation). Pit installation allows the omnidirectional van circulation on the platform. Is not necessary to embed base plates in civil work.

- The weighbridges of the B8C series can be installed with they own metallic ramps on ground. It allows a very simple civil work and to start weighing just after the weighbridge assembly.
- The riding surface is made in 6/8 mm thickness diamond sheet for a good contact of the vehicles wheels. The acces inside the platform is possible by the riding surface sheets wich are screwed with the structure.
- The weight is obtained through the analogical flexion load cells.
- The vision of the weight and the different operations which can be realized of the weighing data vary depending on the function of the indicators or the equipment chosen by the customer according to his necessities.



■ B8C 5 meters length. On ground.



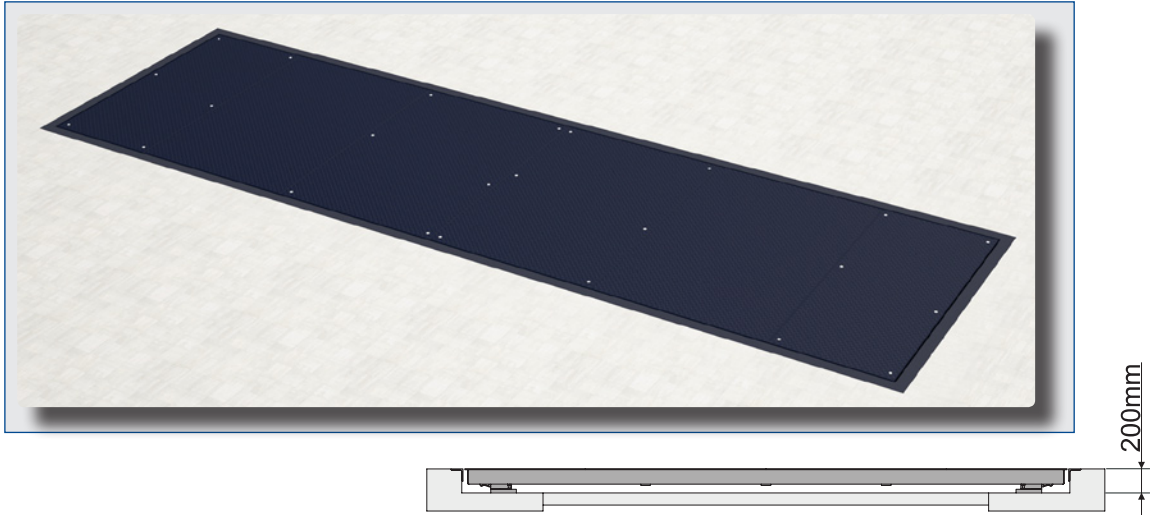
■ B8C 5 meters length. On ground.

INSTALLATION

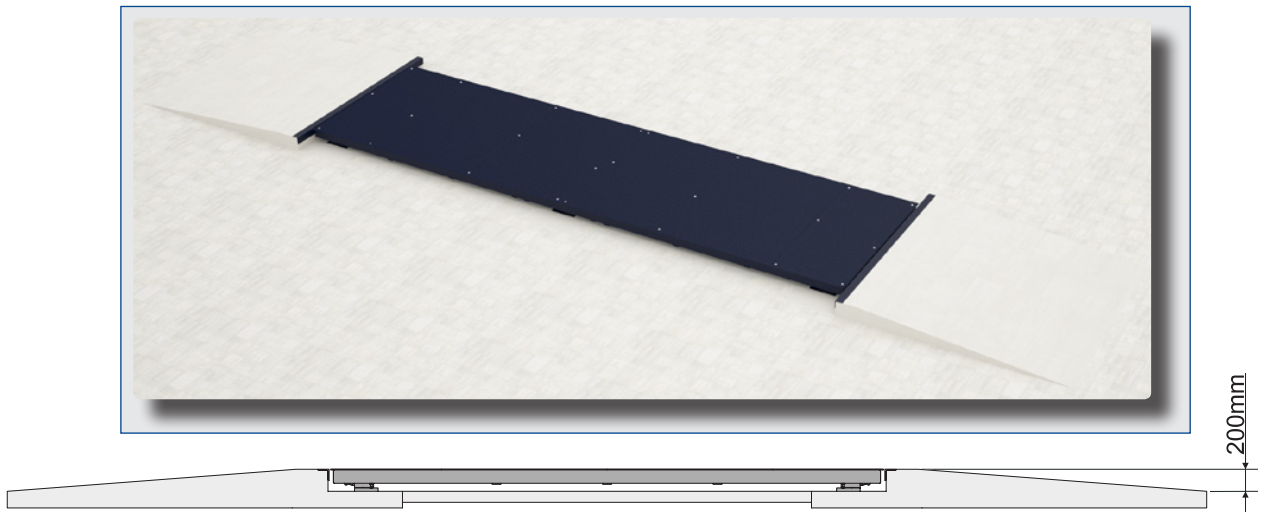
INSTALLATION

- B8C weighbridges can be installed in 3 different ways:
 1. In pit.
 2. On ground with concrete ramps (maximum slope: 10%).
 3. On ground with metallic ramps.

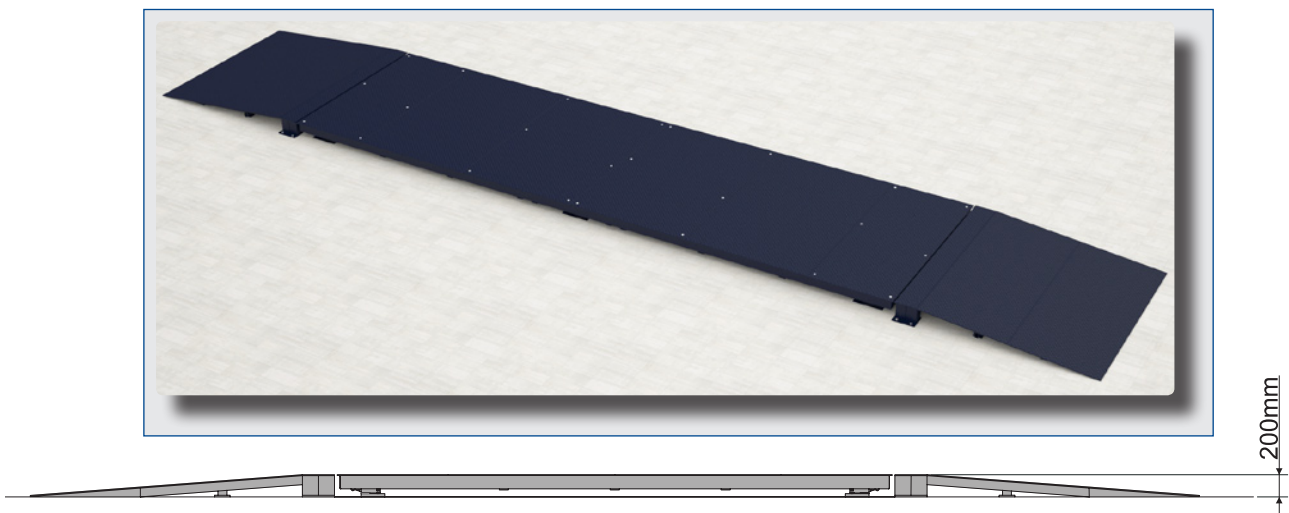
1. IN PIT



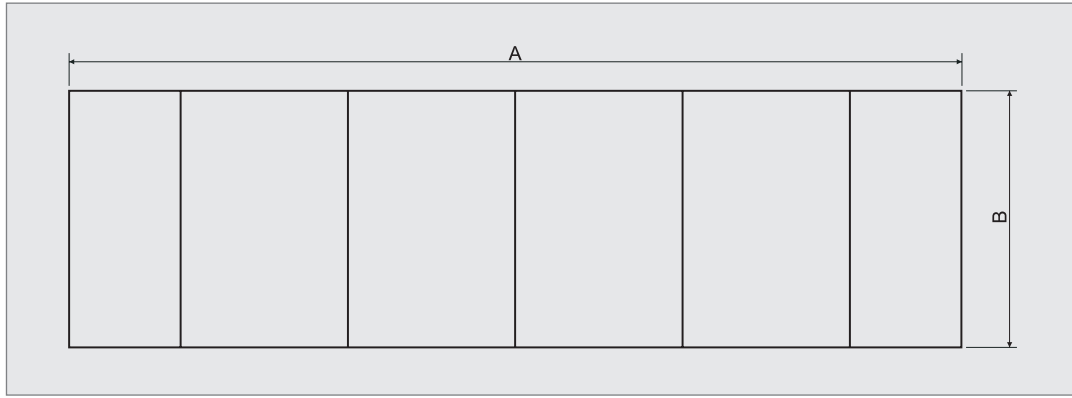
2. ON GROUND



3. ON GROUND WITH METALLIC RAMPS



SPECIFICATIONS



Dimensions (m)		Height (mm)	Capacity (t)	Fraction (kg)	Load cells number
A	B				
5	2,3	200	6	2	4
5	2,3	200	10	5	4
5	2,5	200	6	2	4
5	2,5	200	10	5	4
6	2,3	200	6	2	4
6	2,3	200	10	5	4
6	2,5	200	6	2	4
6	2,5	200	10	5	4
8	2,3	200	10	2	6
8	2,3	200	15	5	6
8	2,5	200	10	2	6
8	2,5	200	15	5	6

ACCESSORIES

- ACCESSORIES FOR THE STRUCTURE
 - On ground installation metallic ramps.
- SPECIAL PAINTING
 - Gushed beams and cross beams, with special paint.
- INDICATORS
 - They can be used with width types of weight indicators. The type of indicators we sell go from the most basic weight indicators (weight-tare indicators with or without printing) to indicators with special functions (alphanumerical, with connection to PC, with data base management, with control of traffic lights, for especial zones) . In this way we facilitate to the customer the possibility to choose the best solution for his/her necessities in the management of weight.



Unit 15 Dunshaughlin Business Park, Dunshaughlin, Co Meath
Tel: +353 1 824 0400 Email: sales@riteweigh.ie Web: www.riteweigh.ie